

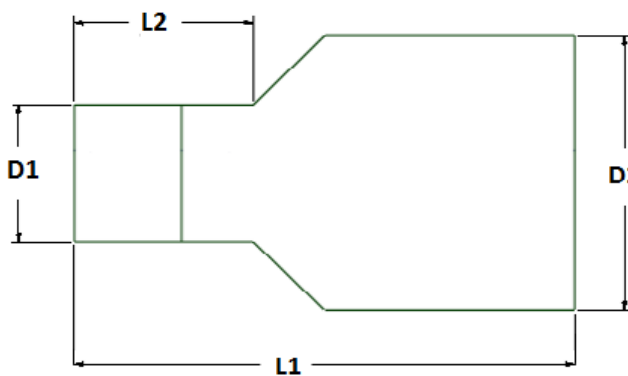
Reduction, shrinkable, L=700mm, packed in foil, **Extra wall thickness**

1. Product application

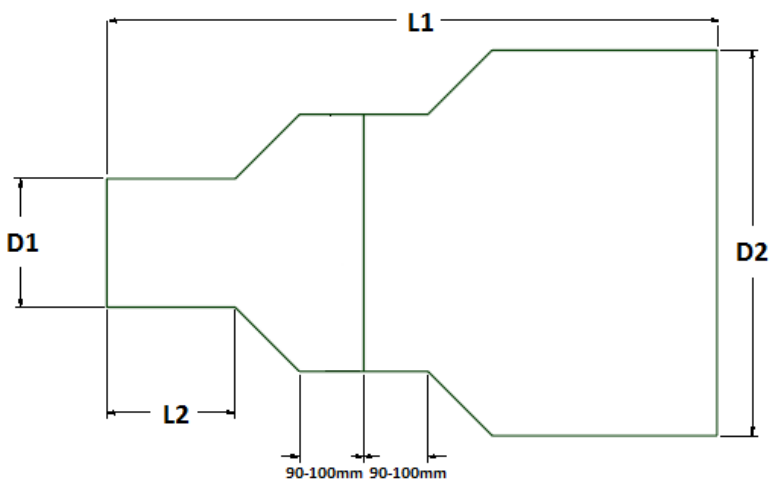
Belmaflex shrinkable reductions with extra wall thickness are designed to make a strong connection between two pre-insulated pipes of different diameters. The increased wall thickness makes that the products are suitable to be used for electrical welding or for extrusion welding as repair reduction joints. One step reductions are in standard delivered as a straight product. More step reductions are delivered in bottle version according to the drawings below.

2. Product parameters

2 and 3 step reduction



4 and 5 step reduction



D1 casing pipe outside diam [mm]	D2 casing pipe outside diam [mm]	item number	number of steps	L1 [mm]	L2 [mm]	D1 min inside diam before shrinking [mm]	D2 min inside diam before shrinking [mm]	WT D1* [mm]	WT D2* [mm]
90	110	3109011007020	1	700 ±10	-	125	125	5,4	
90	125	3109012507019	2	700 ±10	300 ±5	105	140	5,4	4,8
90	140	3109014007019	3	700 ±10	300 ±5	105	155	5,4	5,4
90	160	3109016007019	4	700 ±10	200 ±5	105	176	5,4	5,0
90	180	3109018007019	5	700 ±10	200 ±5	105	197	5,4	5,0
110	125	3111012507020	1	700 ±10	-	140	140	6,6	
110	140	3111014007019	2	700 ±10	300 ±5	125	155	6,6	5,4
110	160	3111016007019	3	700 ±10	300 ±5	125	176	6,6	5,0
110	180	3111018007019	4	700 ±10	200 ±5	125	197	6,6	5,0
125	140	3112514007020	1	700 ±10	-	155	155	4,8	
125	160	3112516007019	2	700 ±10	300 ±5	140	176	4,8	5,0
125	180	3112518007019	3	700 ±10	300 ±5	140	197	4,8	5,0
125	200	3112520007019	4	700 ±10	200 ±5	140	217	4,8	5,0
140	160	3114016007020	1	700 ±10	-	176	176	5,4	
140	180	3114018007020	2	700 ±10	300 ±5	155	197	5,4	5,0
140	200	3114020007019	3	700 ±10	300 ±5	155	217	5,4	5,0
140	225	3114022507019	4	700 ±10	200 ±5	155	243	5,4	5,5
160	180	3116018007015	1	700 ±10	-	197	197	5,0	

Reduction, shrinkable, L=700mm, packed in foil, Extra wall thickness

160	200	3116020007015	2	700 ±10	300 ±5	176	217	5,0	5,0
160	225	3116022507019	3	700 ±10	300 ±5	176	243	5,0	5,5
160	250	3116025007019	4	700 ±10	200 ±5	176	269	5,0	6,1
160	280	3116028007015	5	700 ±10	200 ±5	176	299	5,0	6,1
180	200	3118020007015	1	700 ±10	-	217	217		5,0
180	225	3118022507015	2	700 ±10	300 ±5	197	243	5,0	5,5
180	250	3118025007019	3	700 ±10	300 ±5	197	269	5,0	5,5
200	225	3120022507015	1	700 ±10	-	243	243		5,0
200	250	3120025007019	2	700 ±10	300 ±5	217	269	5,0	6,1
200	280	3120028007019	3	700 ±10	300 ±5	217	299	5,0	6,1
225	250	3122525007015	1	700 ±10	-	269	269		5,5
225	280	3122528007015	2	700 ±10	300 ±5	243	299	5,5	6,9
225	315	3122531507019	3	700 ±10	300 ±5	243	336	5,5	6,9
225	355	3122535507019	4	700 ±10	200 ±5	243	378	5,5	5,6
250	280	3125028007015	1	700 ±10	-	299	299		6,1
250	315	3125031507019	2	700 ±10	300 ±5	269	336	6,1	4,9
250	355	3125035507019	3	700 ±10	300 ±5	269	378	6,1	4,9
250	400	3125040007014	4	700 ±10	200 ±5	269	420	6,1	6,3
280	315	3128031507015	1	700 ±10	-	336	336		6,9
280	355	3128035507019	2	700 ±10	300 ±5	299	378	6,9	5,6
280	400	3128040007019	3	700 ±10	300 ±5	299	420	6,9	5,6
315	355	3131535507012	1	700 ±10	-	378	378		4,9
315	400	3131540007019	2	700 ±10	300 ±5	336	420	4,9	6,3
355	400	3135540007012	1	700 ±10	-	378	420		5,6
355	450	3135545007019	2	700 ±10	300 ±5	378	470	5,6	7,0
400	450	3140045007012	1	700 ±10	-	470	470		6,3

*WT concern raw PE pipe material thicknesses before expansion / downsizing

- ❖ **Belmaflex shrinkable reductions with extra wall thickness are also supplied in standard length 1000mm and can be supplied in any other lengths and combination of dimensions on customer request**
- ❖ **Upon request the one step straight reductions can be also supplied in bottle shaped version**
- ❖ **In case of a need for a specific product please contact our sales department**

3. Material

High density polyethylene (material classification PE100)

4. Marking

White identification label placed in the middle of the product with information about the product parameters and production date.

5. Packing

According to the agreement with the customer products can be additionally supplied with below accessories:

- mastic (integrated or loose)
- shrink collars (manchette)
- welding and venting plugs

Reduction, shrinkable, L=700mm, packed in foil, **Extra wall thickness**

6. Transport

General transport conditions apply as follow:

- Transport on a pallets
- The pallet should be wrapped with protective plastic foil in order to protect against dust, dirt and damage
- Protect the cargo against sunlight,
- Protect the cargo against rainfall/snowfall
- Pallets should be protected against falling and movement during transportation

7. Storage

General storage conditions apply as follow:

- store indoors or under cover,
- store in vertical position on a flat surface,
- protect against the possibility of damaging of products protective plastic foil
- protect from sunlight
- protect against rainfall/snowfall.
- in order to not activate the shrinking process (from 50°C) store in maximal temperatures not higher than 40 ° C

Belmaflex is not responsible for product damages caused by inappropriate storage.