

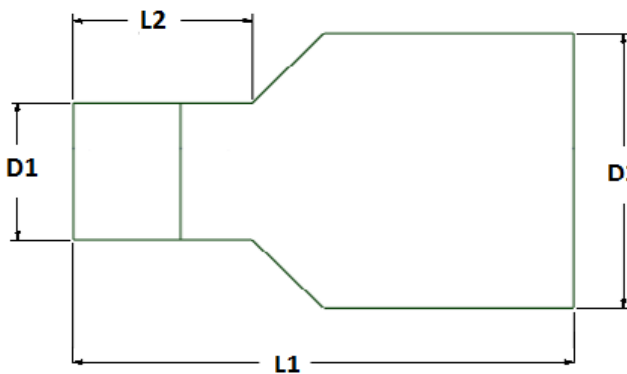
Reduction, shrinkable, L=1000mm, packed in foil, **Extra wall thickness**

1. Product application

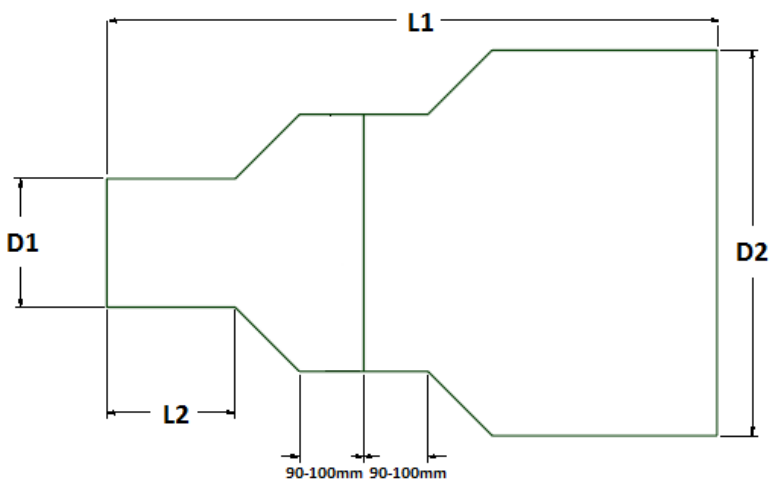
Belmaflex shrinkable reductions with extra wall thickness are designed to make a strong connection between two pre-insulated pipes of different diameters. The increased wall thickness makes that the products are suitable to be used for electrical welding or for extrusion welding as repair reduction joints. One step reductions are in standard delivered as a straight product. More step reductions are delivered in bottle version according to the drawings below.

2. Product parameters

2 and 3 step reduction



4 and 5 step reduction



D1 casing pipe outside diam [mm]	D2 casing pipe outside diam [mm]	item number	number of steps	L1 [mm]	L2 [mm]	D1 min inside diam before shrinking [mm]	D2 min inside diameter before shrinking [mm]	WT D1* [mm]	WT D2* [mm]
90	110	3109011010020	1	1000 ±10	-	125	125	5,4	
90	125	3109012510019	2	1000 ±10	400 ±5	105	140	5,4	4,8
90	140	3109014010019	3	1000 ±10	400 ±5	105	155	5,4	5,4
90	160	3109016010019	4	1000 ±10	300 ±5	105	176	5,4	5,0
90	180	3109018010019	5	1000 ±10	300 ±5	105	197	5,4	5,0
110	125	3111012510020	1	1000 ±10	-	140	140	6,6	
110	140	3111014010019	2	1000 ±10	400 ±5	125	155	6,6	5,4
110	160	3111016010019	3	1000 ±10	400 ±5	125	176	6,6	5,0
110	180	3111018010019	4	1000 ±10	300 ±5	125	197	6,6	5,0
125	140	3112514010020	1	1000 ±10	-	155	155	4,8	
125	160	3112516010019	2	1000 ±10	400 ±5	140	176	4,8	5,0
125	180	3112518010019	3	1000 ±10	400 ±5	140	197	4,8	5,0
125	200	3112520010019	4	1000 ±10	300 ±5	140	217	4,8	5,0
140	160	3114016010020	1	1000 ±10	-	176	176	5,4	
140	180	3114018010020	2	1000 ±10	400 ±5	155	197	5,4	5,0
140	200	3114020010019	3	1000 ±10	400 ±5	155	217	5,4	5,0
140	225	3114022510019	4	1000 ±10	300 ±5	155	243	5,4	5,5

Reduction, shrinkable, L=1000mm, packed in foil, **Extra wall thickness**

160	180	3116018010015	1	1000 ±10	-	197	197	5,0	
160	200	3116020010015	2	1000 ±10	400 ±5	176	217	5,0	5,0
160	225	3116022510019	3	1000 ±10	400 ±5	176	243	5,0	5,5
160	250	3116025010019	4	1000 ±10	300 ±5	176	269	5,0	6,1
160	280	3116028010015	5	1000 ±10	300 ±5	176	299	5,0	6,1
180	200	3118020010015	1	1000 ±10	-	217	217	5,0	
180	225	3118022510015	2	1000 ±10	400 ±5	197	243	5,0	5,5
180	250	3118025010019	3	1000 ±10	400 ±5	197	269	5,0	5,5
200	225	3120022510015	1	1000 ±10	-	243	243	5,0	
200	250	3120025010019	2	1000 ±10	400 ±5	217	269	5,0	6,1
200	280	3120028010019	3	1000 ±10	400 ±5	217	299	5,0	6,1
225	250	3122525010015	1	1000 ±10	-	269	269	5,5	
225	280	3122528010015	2	1000 ±10	400 ±5	243	299	5,5	6,9
225	315	3122531510019	3	1000 ±10	400 ±5	243	336	5,5	6,9
225	355	3122535510019	4	1000 ±10	300 ±5	243	378	5,5	5,6
250	280	3125028010015	1	1000 ±10	-	299	299	6,1	
250	315	3125031510019	2	1000 ±10	400 ±5	269	336	6,1	4,9
250	355	3125035510019	3	1000 ±10	400 ±5	269	378	6,1	4,9
250	400	3125040010014	4	1000 ±10	300 ±5	269	420	6,1	6,3
280	315	3128031510015	1	1000 ±10	-	336	336	6,9	
280	355	3128035510019	2	1000 ±10	400 ±5	299	378	6,9	5,6
280	400	3128040010019	3	1000 ±10	400 ±5	299	420	6,9	5,6
315	355	3131535510012	1	1000 ±10	-	378	378	4,9	
315	400	3131540010019	2	1000 ±10	400 ±5	336	420	4,9	6,3
355	400	3135540010012	1	1000 ±10	-	378	420	5,6	
355	450	3135545010019	2	1000 ±10	400 ±5	378	470	5,6	7,0
400	450	3140045010012	1	1000 ±10	-	470	470	6,3	

*WT concern raw PE pipe material thicknesses before expansion / downsizing

- ❖ **Belmaflex shrinkable reductions with extra wall thickness are also supplied in standard length 700mm and can be supplied in any other lengths and combination of dimensions on customer request**
- ❖ **Upon request the one step straight reductions can be also supplied in bottle shaped version**
- ❖ **In case of a need for a specific product please contact our sales department**

3. Material

High density polyethylene (material classification PE100)

4. Marking

White identification label placed in the middle of the product with information about the product parameters and production date.

5. Packing

According to the agreement with the customer products can be additionally supplied with below accessories:

Reduction, shrinkable, L=1000mm, packed in foil, Extra wall thickness

- mastic (integrated or loose)
- shrink collars (manchette)
- welding and venting plugs

6. Transport

General transport conditions apply as follow:

- Transport on a pallets
- The pallet should be wrapped with protective plastic foil in order to protect against dust, dirt and damage
- Protect the cargo against sunlight,
- Protect the cargo against rainfall/snowfall
- Pallets should be protected against falling and movement during transportation

7. Storage

General storage conditions apply as follow:

- store indoors or under cover,
- store in vertical position on a flat surface,
- protect against the possibility of damaging of products protective plastic foil
- protect from sunlight
- protect against rainfall/snowfall.
- in order to not activate the shrinking process (from 50°C) store in maximal temperatures not higher than 40 ° C

Belmaflex is not responsible for product damages caused by inappropriate storage.