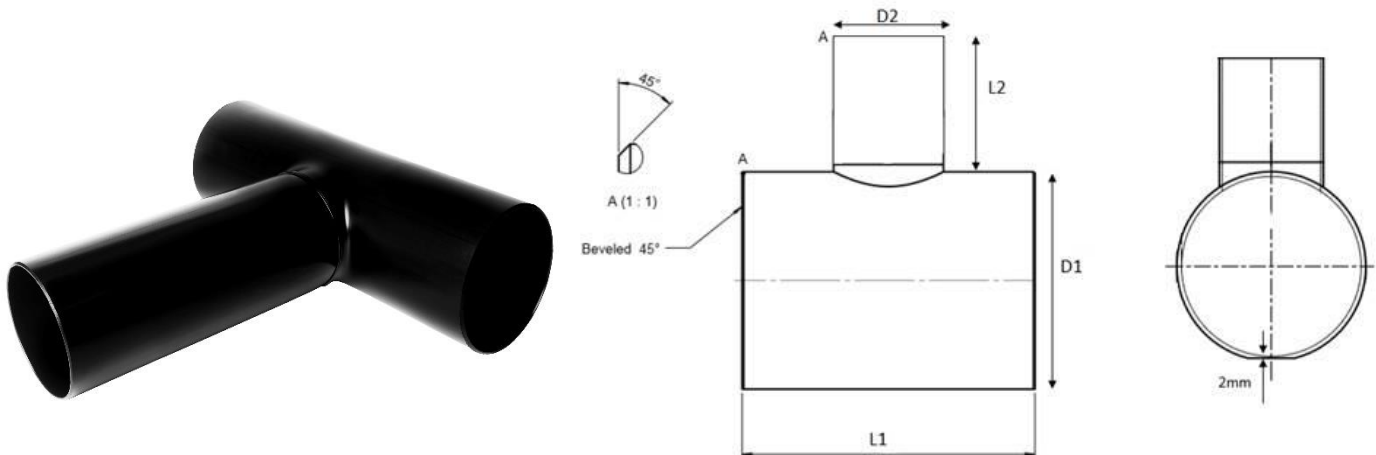


T-fitting, shrinkable, L=700mm,

1. Product application

Shrinkable T-fittings can be used for making branches on the preinsulated pipeline networks. The main pipe material is perfectly suitable for extrusion welding.

2. Product parameters



D1 casing pipe outside diam [mm]	D2 casing pipe outside diam [mm]	item number	L1 [mm]	L2 [mm]	D1 min inside diam before shrinking [mm]	D2 min inside diameter before shrinking [mm]	WT D1* [mm]	WT D2* [mm]
110	75	6711007507503	700 ±10	500 ±10	125	89	6,6	3
110	90	6711009009003	700 ±10	500 ±10	125	105	6,6	3
125	75	6712507507503	700 ±10	500 ±10	140	89	4,8	3
125	90	6712509009003	700 ±10	500 ±10	140	105	4,8	3
125	110	6712511011003	700 ±10	500 ±10	140	125	4,8	3
140	75	6714007507503	700 ±10	500 ±10	155	89	5,4	3
140	90	6714009009003	700 ±10	500 ±10	155	105	5,4	3
140	110	6714011011003	700 ±10	500 ±10	155	125	5,4	3
140	125	6714012512503	700 ±10	500 ±10	155	140	5,4	3
160	75	6716007507503	700 ±10	500 ±10	176	89	5,0	3
160	90	6716009009003	700 ±10	500 ±10	176	105	5,0	3
160	110	6716011011003	700 ±10	500 ±10	176	125	5,0	3
160	125	6716012512503	700 ±10	500 ±10	176	140	5,0	3
160	140	6716014014003	700 ±10	500 ±10	176	155	5,0	3
180	75	6718007507503	700 ±10	500 ±10	197	89	5,0	3
180	90	6718009009003	700 ±10	500 ±10	197	105	5,0	3
180	110	6718011011003	700 ±10	500 ±10	197	125	5,0	3
180	125	6718012512503	700 ±10	500 ±10	197	140	5,0	3
180	140	6718014014003	700 ±10	500 ±10	197	155	5,0	3
180	160	6718016016003	700 ±10	500 ±10	197	176	5,0	3
200	75	6720007507503	700 ±10	500 ±10	217	89	5,0	3
200	90	6720009009003	700 ±10	500 ±10	217	105	5,0	3
200	110	6720011011003	700 ±10	500 ±10	217	125	5,0	3
200	125	6720012512503	700 ±10	500 ±10	217	140	5,0	3
200	140	6720014014003	700 ±10	500 ±10	217	155	5,0	3
200	160	6720016016003	700 ±10	500 ±10	217	176	5,0	3

T-fitting, shrinkable, L=700mm,

200	180	6720018018003	700 ±10	500 ±10	217	197	5,0	3
225	75	6722507507503	700 ±10	500 ±10	243	89	5,5	3
225	90	6722509009003	700 ±10	500 ±10	243	105	5,5	3
225	110	6722511011003	700 ±10	500 ±10	243	125	5,5	3
225	125	6722512512503	700 ±10	500 ±10	243	140	5,5	3
225	140	6722514014003	700 ±10	500 ±10	243	155	5,5	3
225	160	6722516016003	700 ±10	500 ±10	243	176	5,5	3
225	180	6722518018003	700 ±10	500 ±10	243	197	5,5	3
225	200	6722520020003	700 ±10	500 ±10	243	217	5,5	3,2
250	75	6725007507503	700 ±10	500 ±10	269	89	6,1	3
250	90	6725009009003	700 ±10	500 ±10	269	105	6,1	3
250	110	6725011011003	700 ±10	500 ±10	269	125	6,1	3
250	125	6725012512503	700 ±10	500 ±10	269	140	6,1	3
250	140	6725014014003	700 ±10	500 ±10	269	155	6,1	3
250	160	6725016016003	700 ±10	500 ±10	269	176	6,1	3
250	180	6725018018003	700 ±10	500 ±10	269	197	6,1	3
250	200	6725020020003	700 ±10	500 ±10	269	217	6,1	3,2
250	225	6725022522503	700 ±10	500 ±10	269	243	6,1	3,5
280	75	6728007507503	700 ±10	500 ±10	299	89	6,9	3
280	90	6728009009003	700 ±10	500 ±10	299	105	6,9	3
280	110	6728011011003	700 ±10	500 ±10	299	125	6,9	3
280	125	6728012512503	700 ±10	500 ±10	299	140	6,9	3
280	140	6728014014003	700 ±10	500 ±10	299	155	6,9	3
280	160	6728016016003	700 ±10	500 ±10	299	176	6,9	3
280	180	6728018018003	700 ±10	500 ±10	299	197	6,9	3
280	200	6728020020003	700 ±10	500 ±10	299	217	6,9	3,2
280	225	6728022522503	700 ±10	500 ±10	299	243	6,9	3,5
280	250	6728025025003	700 ±10	500 ±10	299	269	6,9	3,9
315	75	6731507507503	700 ±10	500 ±10	336	89	4,9	3
315	90	6731509009003	700 ±10	500 ±10	336	105	4,9	3
315	110	6731511011003	700 ±10	500 ±10	336	125	4,9	3
315	125	6731512512503	700 ±10	500 ±10	336	140	4,9	3
315	140	6731514014003	700 ±10	500 ±10	336	155	4,9	3
315	160	6731516016003	700 ±10	500 ±10	336	176	4,9	3
315	180	6731518018003	700 ±10	500 ±10	336	197	4,9	3
315	200	6731520020003	700 ±10	500 ±10	336	217	4,9	3,2
315	225	6731522522503	700 ±10	500 ±10	336	243	4,9	3,5
315	250	6731525025003	700 ±10	500 ±10	336	269	4,9	3,9
355	75	6735507507503	700 ±10	500 ±10	378	89	5,6	3
355	90	6735509009003	700 ±10	500 ±10	378	105	5,6	3
355	110	6735511011003	700 ±10	500 ±10	378	125	5,6	3
355	125	6735512512503	700 ±10	500 ±10	378	140	5,6	3
355	140	6735514014003	700 ±10	500 ±10	378	155	5,6	3
355	160	6735516016003	700 ±10	500 ±10	378	176	5,6	3
355	180	6735518018003	700 ±10	500 ±10	378	197	5,6	3
355	200	6735520020003	700 ±10	500 ±10	378	217	5,6	3,2
355	225	6735522522503	700 ±10	500 ±10	378	243	5,6	3,5
355	250	6735525025003	700 ±10	500 ±10	378	269	5,6	3,9
400	75	6740007507503	700 ±10	500 ±10	420	89	6,3	3
400	90	6740009009003	700 ±10	500 ±10	420	105	6,3	3
400	110	6740011011003	700 ±10	500 ±10	420	125	6,3	3

T-fitting, shrinkable, L=700mm,

400	125	6740012512503	700 ±10	500 ±10	420	140	6,3	3
400	140	6740014014003	700 ±10	500 ±10	420	155	6,3	3
400	160	6740016016003	700 ±10	500 ±10	420	176	6,3	3
400	180	6740018018003	700 ±10	500 ±10	420	197	6,3	3
400	200	6740020020003	700 ±10	500 ±10	420	217	6,3	3,2
400	225	6740022522503	700 ±10	500 ±10	420	243	6,3	3,5
400	250	6740025025003	700 ±10	500 ±10	420	269	6,3	3,9
450	75	6745007507503	700 ±10	500 ±10	470	89	7,0	3
450	90	6745009009003	700 ±10	500 ±10	470	105	7,0	3
450	110	6745011011003	700 ±10	500 ±10	470	125	7,0	3
450	125	6745012512503	700 ±10	500 ±10	470	140	7,0	3
450	140	6745014014003	700 ±10	500 ±10	470	155	7,0	3
450	160	6745016016003	700 ±10	500 ±10	470	176	7,0	3
450	180	6745018018003	700 ±10	500 ±10	470	197	7,0	3
450	200	6745020020003	700 ±10	500 ±10	470	217	7,0	3,2
450	225	6745022522503	700 ±10	500 ±10	470	243	7,0	3,5
450	250	6745025025003	700 ±10	500 ±10	470	269	7,0	3,9

*WT concern raw PE pipe material thicknesses before expansion / downsizing

- ❖ **Shrinkable T-fittings can be also supplied in any other lengths and combination of dimensions on customer request**
- ❖ **In case of a need for a specific product please contact our sales department**

3. Material

High density polyethylene (material classification PE100)

4. Marking

White identification label placed in the middle of the product with information about the product parameters and production date.

5. Packing

According to the agreement with the customer products can be additionally supplied with below accessories:

- mastic integrated on branch pipe
- shrink collars (manchette)

6. Transport

General transport conditions apply as follow:

- Transport on a pallets
- The pallet should be wrapped with protective plastic foil in order to protect against dust, dirt and damage
- Protect the cargo against sunlight,
- Protect the cargo against rainfall/snowfall
- Pallets should be protected against falling and movement during transportation

7. Storage

General storage conditions apply as follow:

T-fitting, shrinkable, L=700mm,

- store indoors or under cover,
- protect from sunlight
- protect against rainfall/snowfall.
- in order to not activate the shrinking process (from 50°C) store in maximal temperatures not higher than 40 ° C

Belmaflex is not responsible for product damages caused by inappropriate storage.