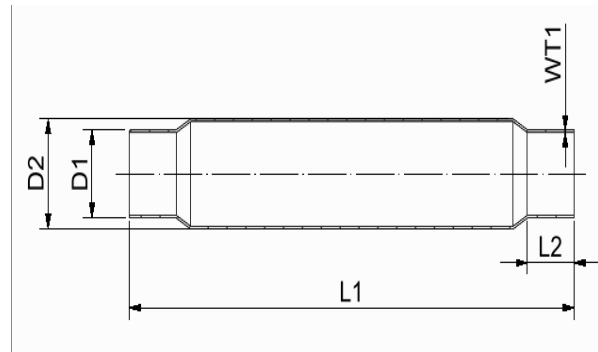


Valve casing, DH Balloon, L1200mm

1. Product application

Belmaflex PEHD balloon valve casings are dedicated to be used as a jacket of the preinsulated ball valves as well compensators.

2. Product parameters



D1	D2	Item number	WT1-WT2 mm*	L1 [mm]	L2 [mm]
90	110	5109011000120	4,0	1200 ±10	300±10
90	125	5109012500120	4,1	1200 ±10	300±10
110	125	5111012500120	4,1	1200 ±10	300±10
110	140	5111014000120	4,5	1200 ±10	300±10
125	140	5112514000120	4,5	1200 ±10	300±10
125	160	5112516000120	5,0	1200 ±10	300±10
140	160	5114016000120.4	4,5	1200 ±10	325±10
140	180	5114018000120.4	4,5	1200 ±10	325±10
160	180	5116018000120.4	5,0	1200 ±10	335±10
160	200	5116020000120.4	5,0	1200 ±10	325±10
180	200	5118020000120.4	5,0	1200 ±10	325±10
180	225	5118022500120.4	5,0	1200 ±10	330±10
200	225	5120022500120.4	5,0	1200 ±10	325±10
200	250	5120025000120.4	5,0	1200 ±10	310±10
225	250	5122525000120.4	5,5	1200 ±10	325±10
225	280	5122528000120.4	5,5	1200 ±10	310±10
250	880	5125028000120.4	6,1	1200 ±10	320±10
250	315	5125031500120.4	6,1	1200 ±10	320±10
280	315	5128031500120.4	6,9	1200 ±10	325±10
280	355	5128035500120.4	6,9	1200 ±10	325±10
315	355	5131535500120.4	7,7	1200 ±10	335±10
315	400	5131540000120.4	7,7	1200 ±10	325±10
355	400	5135540000120.4	7,7	1200 ±10	320±10
355	450	5135545000120	7,7	1200 ±10	250±10

*concerns raw material wall thickness before expansion / downsizing

Valve casing, DH Balloon, L1200mm

- ❖ Belmaflex valve casings can be also supplied in other lengths and combination of dimensions on customer request
- ❖ In case of a need for a specific product please contact our sales department

3. Material

High density polyethylene (material classification PE100)

4. Marking

White identification label placed in the middle of the joint with information about the product parameters and production date.

5. Storage

In case of a long term storage, weldable PE products should be protected against direct exposition to sunlight as well as changeable temperature and weather conditions. The products should be protected against mechanical damages.